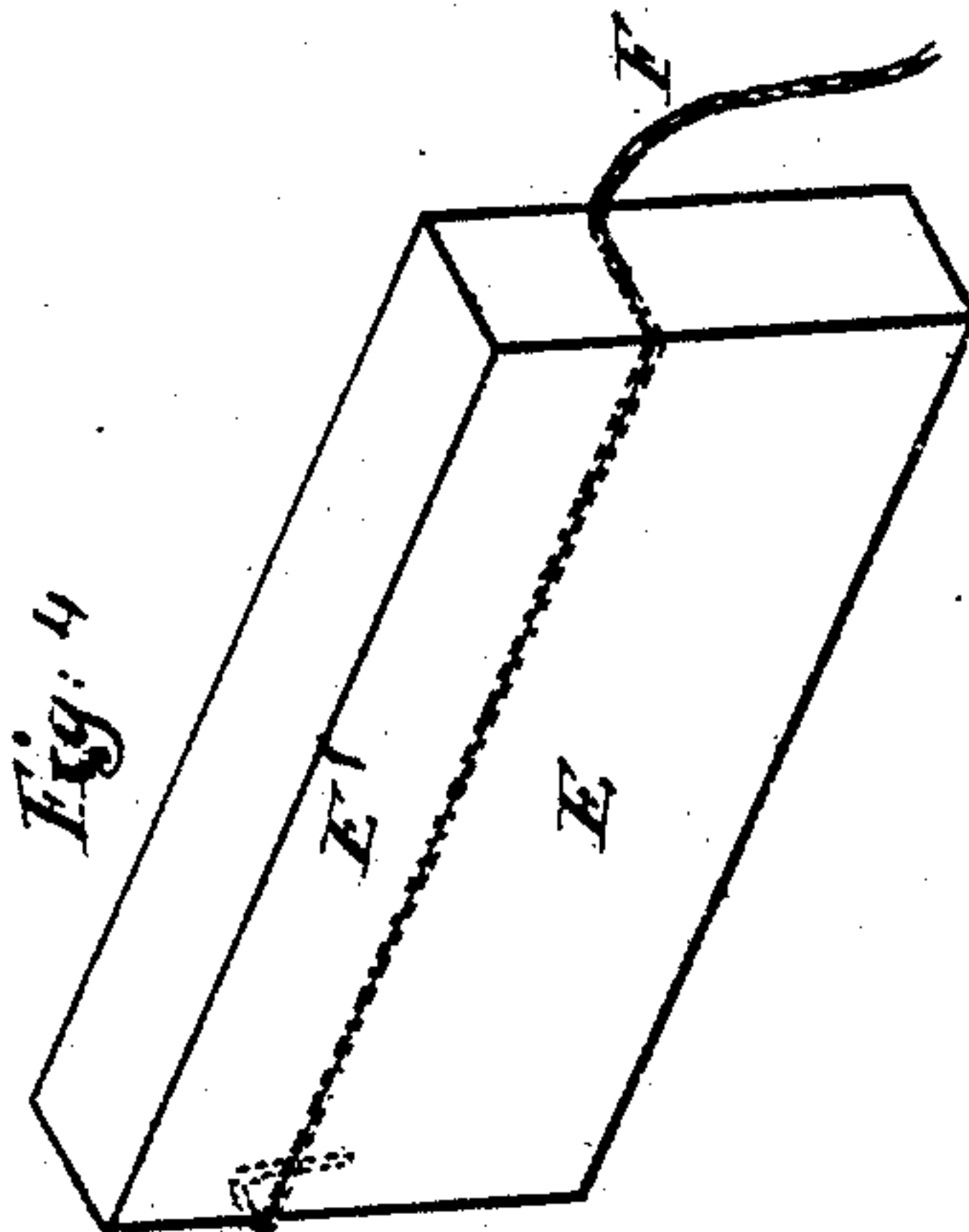
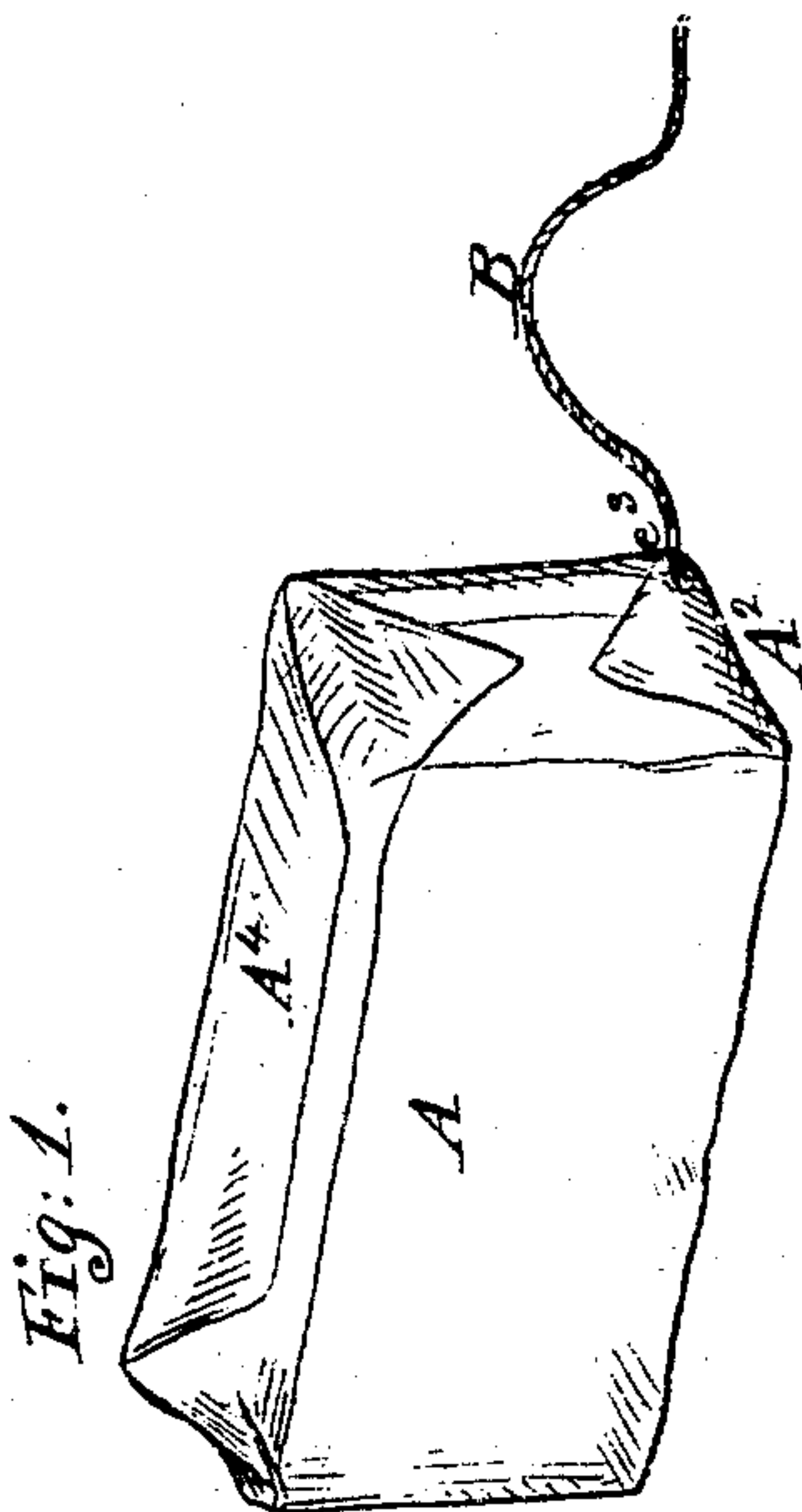
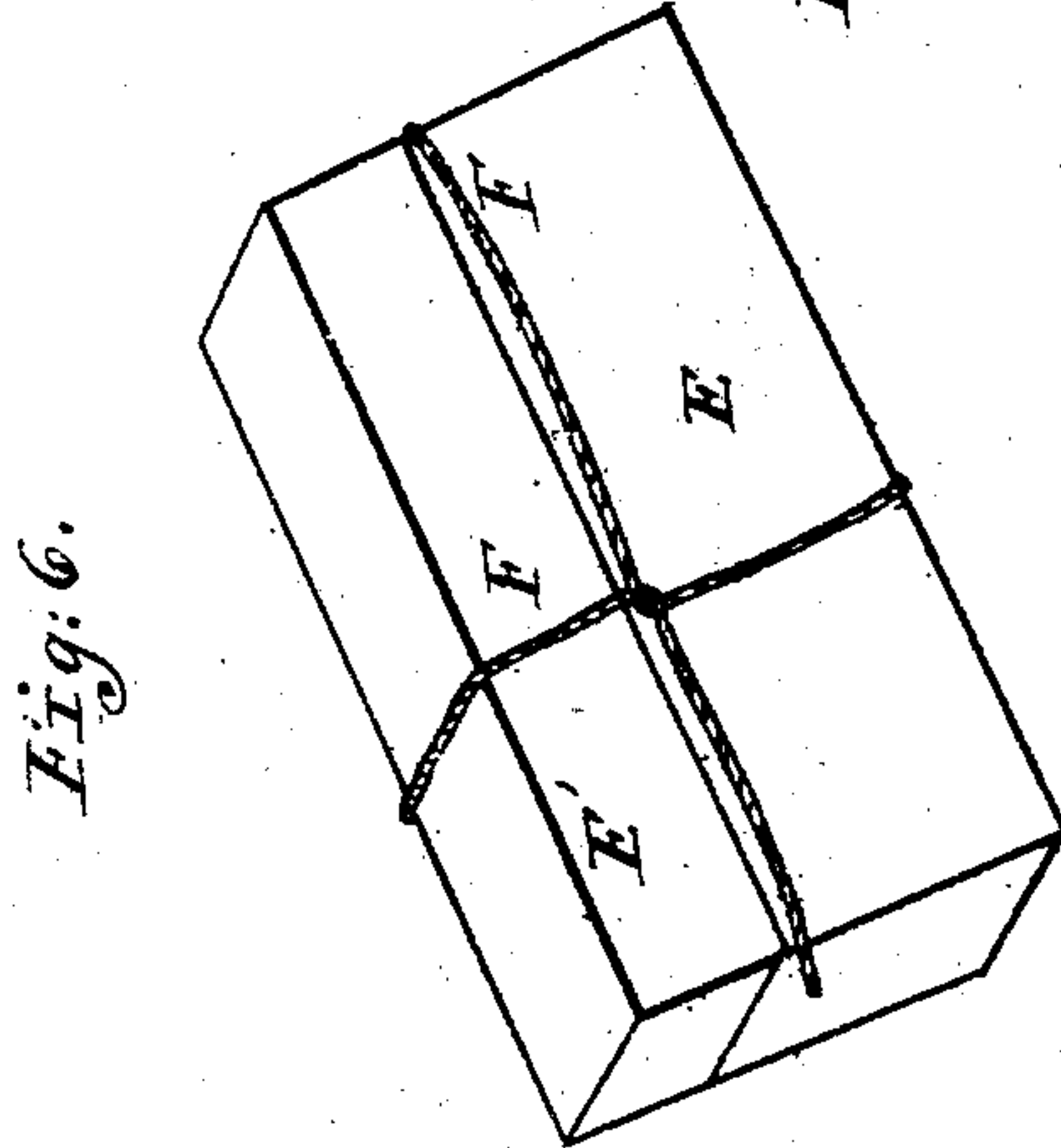
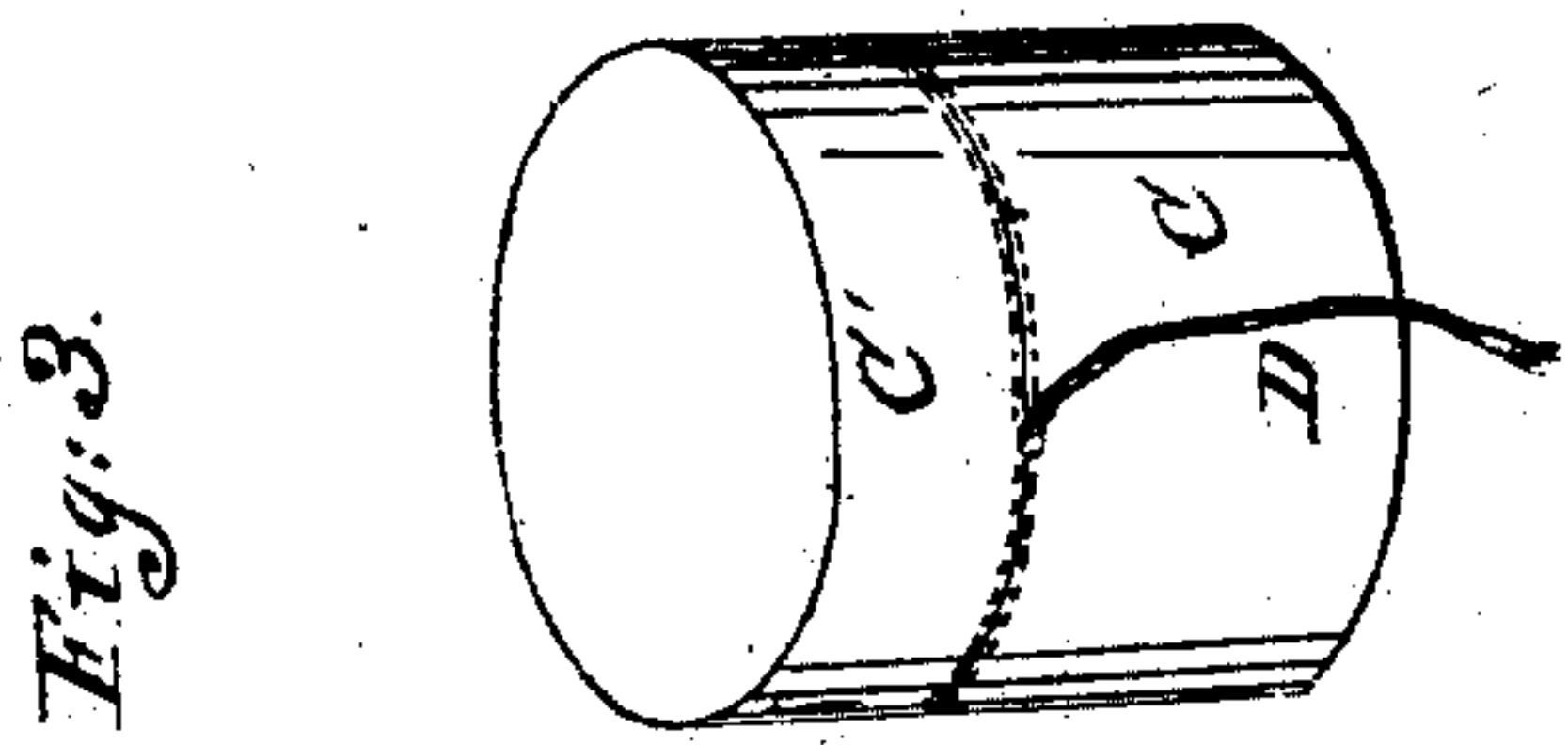
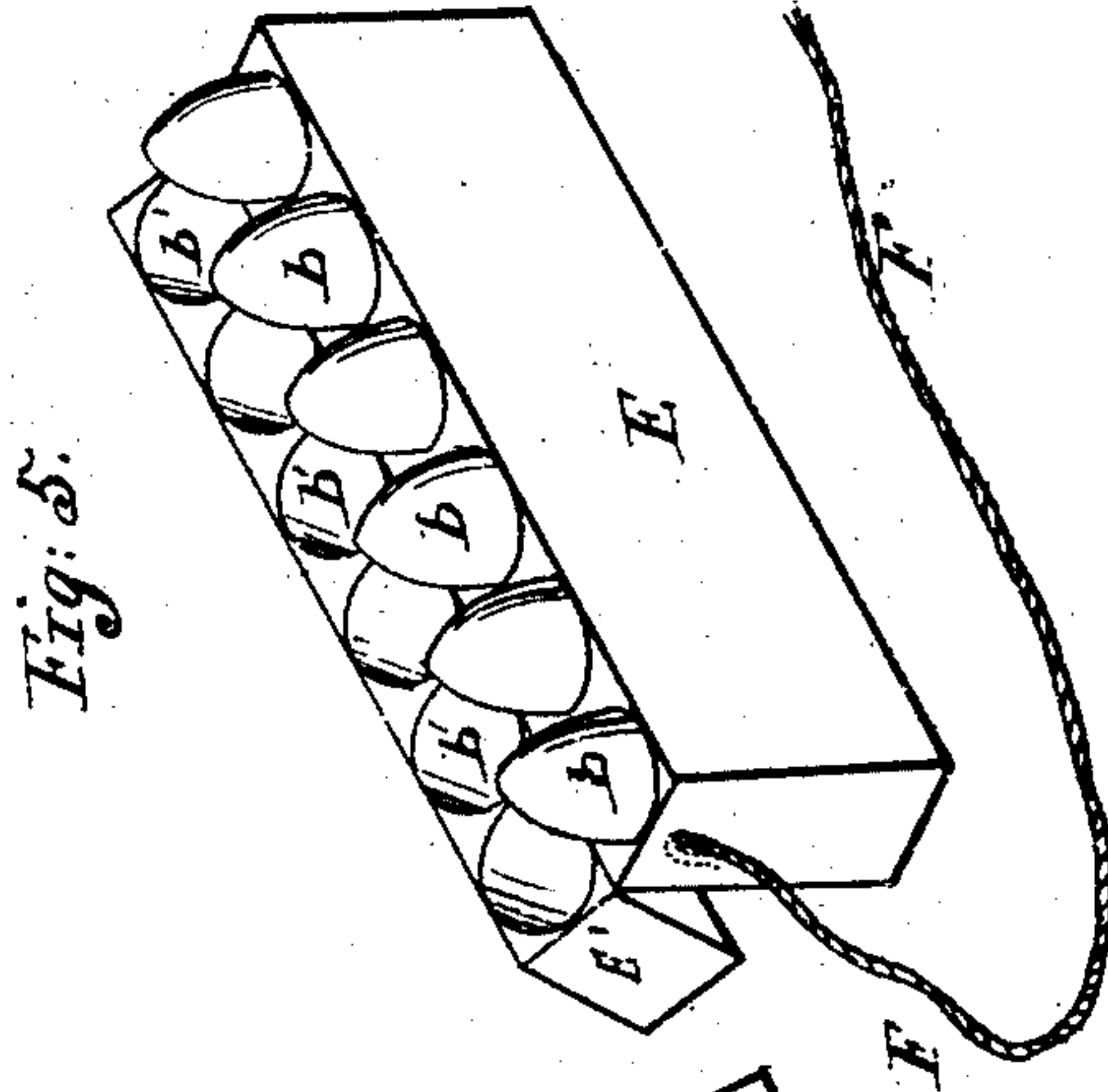
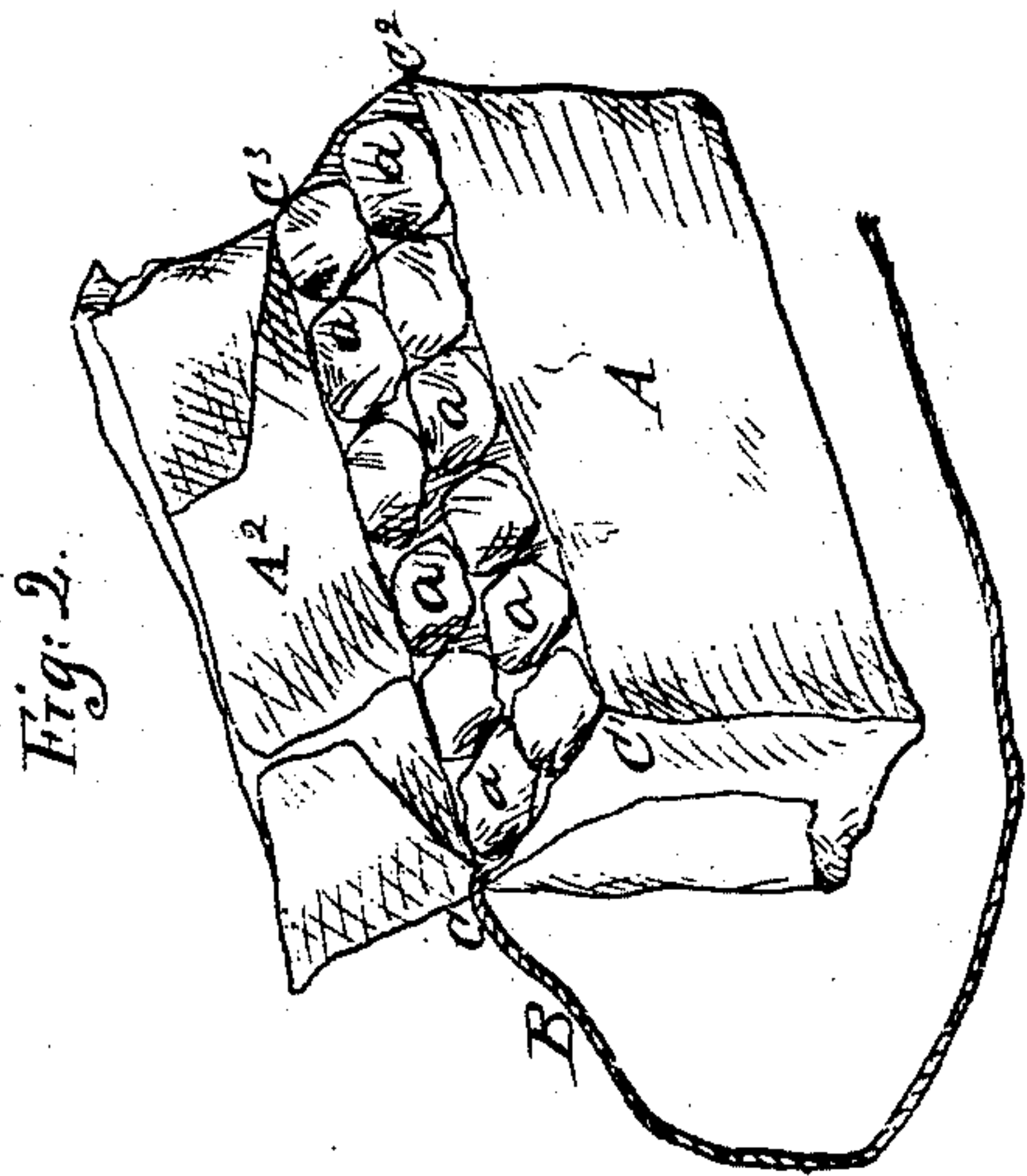


S. COLT.
Cartridge Box.

No. 23,230.

Patented March 15, 1859.



Witnesses:

Adrian Alden
William Parry

Inventor:

Sam. Colt.

UNITED STATES PATENT OFFICE.

SAMUEL COLT, OF HARTFORD, CONNECTICUT.

PACKING CARTRIDGES.

Specification of Letters Patent No. 23,230, dated March 15, 1859.

To all whom it may concern:

Be it known that I, SAMUEL COLT, of Hartford, county of Hartford, in the State of Connecticut, have invented a new and useful Method of Putting Up Cartridges; and I do hereby declare that the following is a full and exact description thereof, reference being had to the accompanying drawings and to the letters of reference marked there-
10 on.

In the ordinary method of putting up cartridges, as well as in all the improved modes of packing them, much time, labor, and dexterity is required to open the packages for the extrication of the cartridges without injury to the latter.

To overcome this difficulty, and furnish a package which may be speedily and effectually opened, without danger of injuring the cartridges, (by an experienced or inexperienced hand) is the object of my invention, which consists in the use of a string, wire, or other equivalent, so arranged in the package or envelop containing the cartridges that by simply pulling an obtruding end of said string (or its equivalent) the package or envelop will be speedily and effectually opened, without injury to the contents.

To enable those skilled to make and use my improvement I will proceed to describe more fully its construction and operation, referring by letter to the accompanying drawing forming part of this specification, in which—

Figure 1 represents a perspective view of an ordinary, paper enveloped, package, embracing my improvement, Fig. 2 represents a perspective view of the same, after having been opened by my improved method, Fig. 3 represents my invention applied to one of Root's improved wood packages, Fig. 4 represents another of Root's wood packages, embracing my improvement, Fig. 5 represents the same opened by my improvement, and Fig. 6 the same, having been opened, and temporarily closed, and retained by the string, as will presently be explained.

The package represented at Figs. 1 and 2 is designed to be opened along one of its narrow sides A^4 in such manner as to expose the paper end of the cartridges, (as illustrated at Fig. 2). For this purpose a string B is arranged internally around three edges of said side A^4 , beginning about the corner c , and running thence to the corner

c' thence to c^2 and thence to c^3 (see Fig. 2) at which latter corner it protrudes from the package (see Fig. 1) sufficiently to be conveniently taken hold of. It will be understood that the string B, is arranged in its proper position in forming the package, and that when the package or envelop is completed only the protruding end of the string is visible, as illustrated at Fig. 1. It will also be seen that by holding the package in one hand, and pulling the end of the string B, smartly, and slightly in the direction in which it runs around the package, the package will be cut open along three edges of one of its sides A^4 , which side A^4 , may be then bent up along its fourth edge and the cartridges exposed and readily extricated, when all the cartridges are not used at one time, the side A^4 (being only cut along three edges) may be pressed back into its original position, and the string wrapped around the outside of the package and made to keep it closed.

The package represented at Fig. 3 is one of "Root's cylindrical wooden boxes," which is made in two parts held together by a paper strip or belt passing around the joining line or by an entire wrapper of paper or other suitable material. My improved device for opening the package is particularly applicable to this kind of package, and is applied by simply placing the string around the line of connection, between the upper C' , and lower C, portions of the box and covering said string with the paper belt or wrapper, allowing one end of the string to protrude as illustrated. In applying the string to this kind of box, it is passed entirely around the box, so that when the protruding end is pulled the upper portion C' will be perfectly severed from the lower (C), the paper uniting the two parts being cut asunder by the string.

In Figs. 4, 5 and 6, which illustrate the application of my improvement to one of "Root's rectangular wood packages," the string F, is passed around three edges of the plane in which the upper part C' and lower portion C of the box unite, and enveloped, as in the cylindrical package, by the wrapper. By pulling the protruding end of the string F, this package is opened by having the wrapper (which unites the two parts of the box) severed along three sides, when the upper portion E' , is opened as seen at Fig. 5, the wrapper on the fourth

unsevered edge serving as a hinge. It will be seen that, if desired only a few of the cartridges may be used the first time the package is opened, the remainder being perfectly retained by closing the upper portion of the box and securing it by wrapping the string around the outside, as seen at Fig. 6.

I do not wish to limit my invention to the use of the string, though I have shown it and found it to work well in practice, for a wire or other equivalent might be made to answer the purpose; neither do I confine myself to the exact arrangement

shown of the string or its equivalent in the package, but claim as my invention and desire to secure by Letters Patent, 15

The application of a string, wire, or other equivalent, to a cartridge package or box, by which the package or box may be opened.

In testimony whereof I have hereunto set my hand and seal this tenth day of December 1858. 20

SAM. COLT. [L. s.]

Witnesses:

J. DEANE ALDEN,
WILLIAM JARVIS.